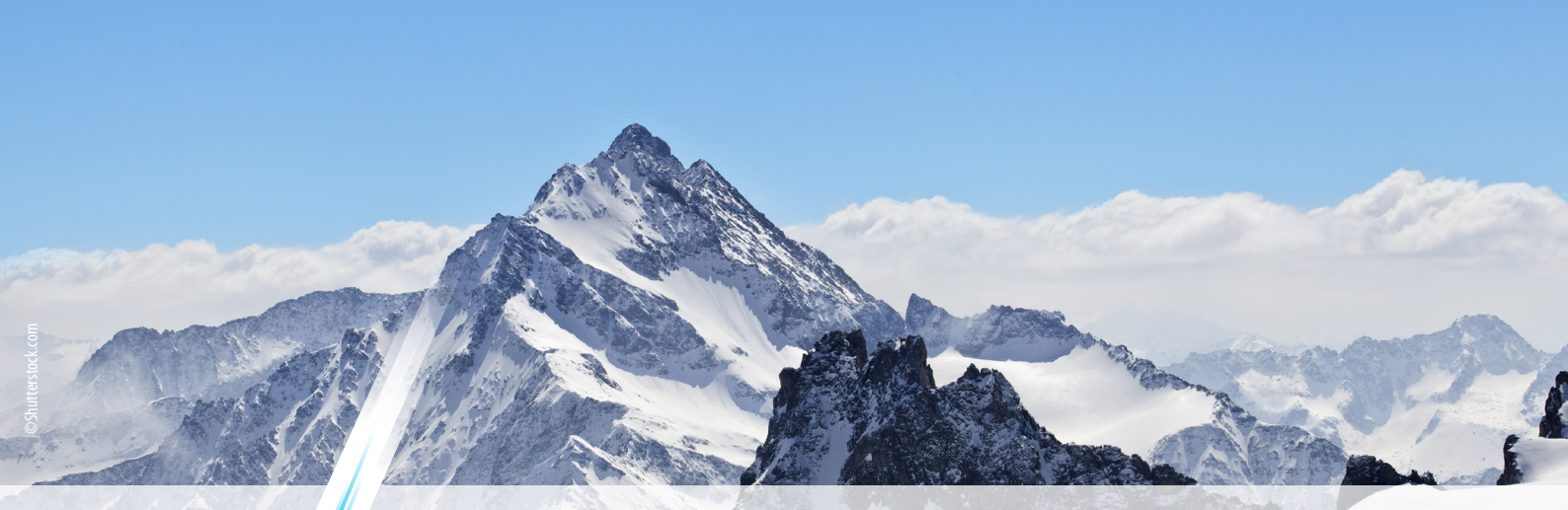


©Shutterstock.com



# UVGERMI®

ULTRAVIOLETS DE HAUTE TECHNOLOGIE

*The UV technology specialist  
for air treatment.*

20000374\_A\_FT10

● ○ ● MADE IN FRANCE

## UVSENSOR

The **UVSENSOR** module monitors the performance of GERMI BP95 RQ reactors installed on a ventilation duct over time. It comprises a sensor and a UV controller. The UVc intensity emitted by the UV lamps is displayed continuously (in % or W/m<sup>2</sup>).

The module has a preliminary alarm, an alarm and 4-20 mA output. It also monitors the duration of lamp operation and the number of times the GERMI BP95 RQ reactors are started. UVSENSOR can also be used to supply several GERMI BP95 RQ reactors (up to 10) via a single electrical connection. This configuration enables all the reactors to be switched on and off at the same time.

**Full warranty: 1 year**  
**After-sales in France**



## TECHNICAL SPECIFICATIONS

### POWER

**Power supply:** 230 V/50 Hz  
**Max power:** 100 W

### CONTROL BOX

Digital UVc display  
On/Off lighted switch

### DIMENSIONS

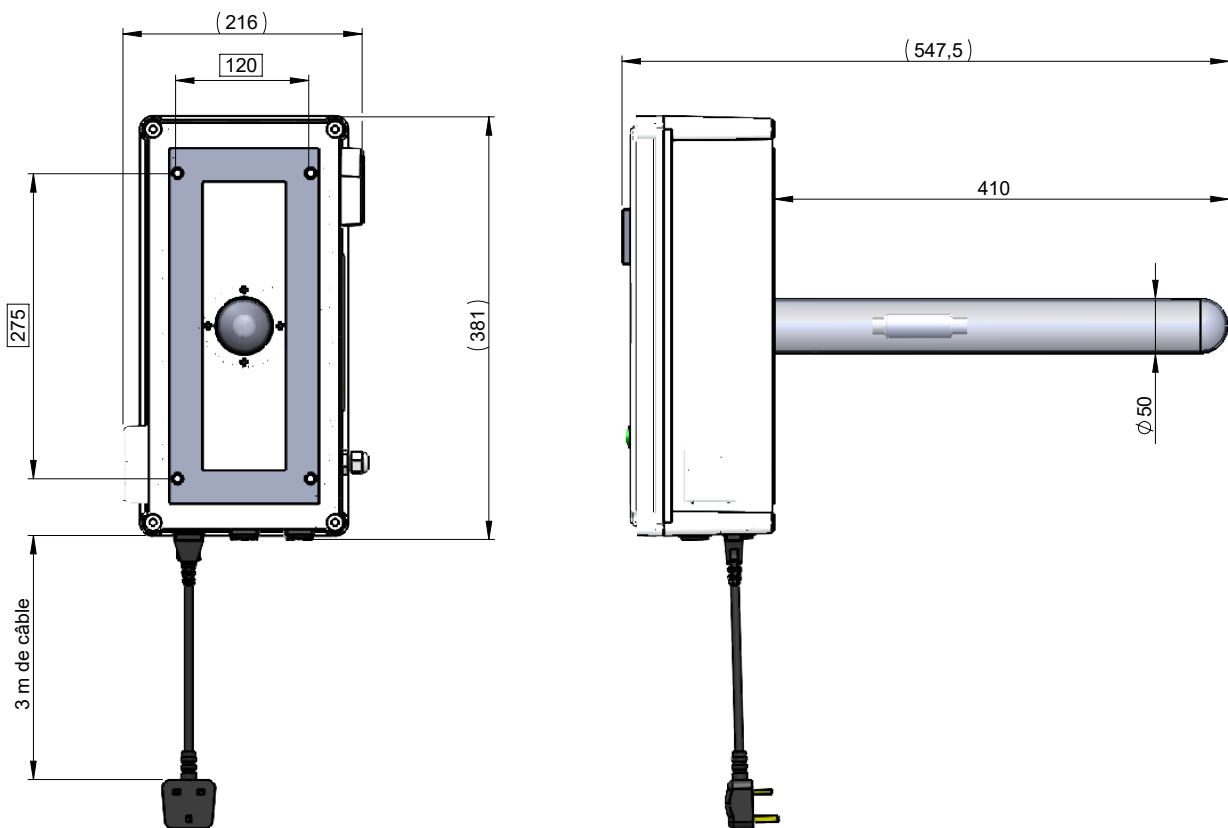
**Height:** 381 cm  
**Width:** 216 cm  
**Depth:** 548 cm  
**Weight:** 5 kg

### ASSOCIATED PRODUCTS

**360° UV sensor** 16000267  
**Quartz sleeve** 17000263  
**O-ring** 17000408

20000374\_A\_FT10

## UVSENSOR



### INSTALLATION

The **UVSENSOR** box is installed in the same manner as the GERMI BP95 RQ; it is attached vertically or horizontally to the ventilation duct.

### MAINTENANCE

Maintenance consists in cleaning the quartz sleeve with a clean cloth and a mild acid. Make sure the unit is powered off before performing any intervention.