



UVGERMI®

ULTRAVIOLETS DE HAUTE TECHNOLOGIE

*Specialist in
dechloramination solutions
using ultraviolet reactors.*

● ○ ● MADE IN FRANCE

15000103_A_FT10

UVDECHLO 90

> **Flow rate:** from 50 to 100 m³/h

EEC option possible*

The **UVDECHLO 90** reduces the level of combined chlorine in swimming pools via photochemical action on all the organochlorine compounds in the water (monochloramine, dichloramine trichloramine). It also destroys Giardia and Cryptosporidium.



Full warranty: 2 years

Stainless steel parts: 5 years

After-sales in France



* Interlocked with the chloramine level (thanks to information from an analysis chamber located upstream of the installation)

TECHNICAL SPECIFICATIONS

 **Equipment accredited by the French Ministry of Health: no. 050021**

UV LAMP

Total electrical power: 800 Watts (4 lamps)
UV dose at the end of lamp service life: 60 mJ/cm²
Lamp service life: 16,000 hours or 2 years
 Low pressure lamp, no ozone generation

UV REACTOR

Treatment chamber: Stainless steel 316L
Input/Output: DN100/PN10-16 (PVC 110)
Operating pressure: 2 bars

ELECTRICAL BOX

Dimensions (mm): 600 x 400 x 210
EEC dimensions (mm): 600 x 600 x 210
Power supply: 230 V + neutral / 50-60 Hz
 Digital hour counter with pre-selection
 Pre-alarm light indicator for lamp replacement
 Alarm buzzer for lamp replacement
 Start counter

ASSOCIATED PRODUCTS

200 W UV lamp: 14000129
Quartz sleeve: 14000048
O-ring: 14000088
Ballast: 16000273
EEC ballast: 17000660

www.uvgermi.fr

UVGERMI, ZAC de la Nau, 19240 Saint-Viance (FRANCE) // Tel. +0033(0)5 55 88 18 88 // Fax: +0033(0)5 55 88 18 16 // Email: contact@uvgermi.fr

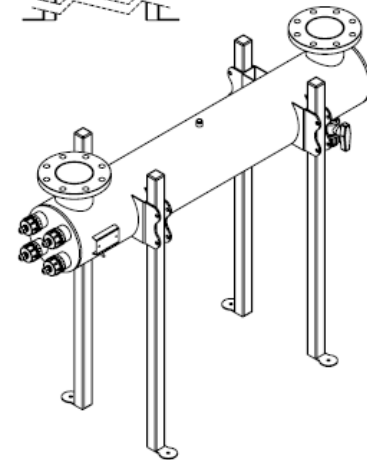
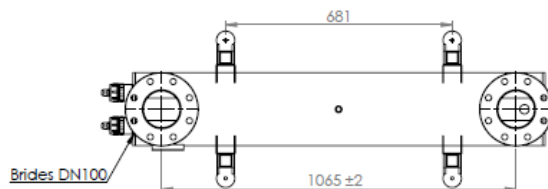
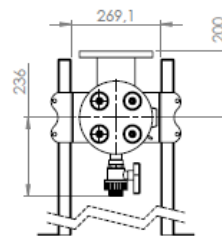
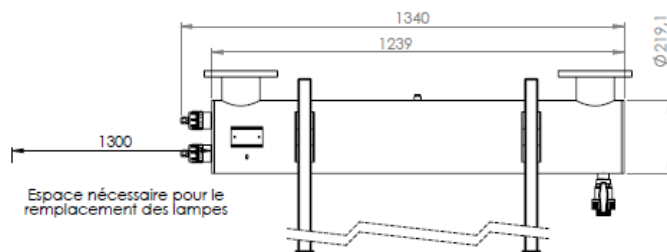
15000103_A_FT10

UVDECHLO 90

> **Flow rate:** from 50 to 100 m³/h

EEC option possible*

** Interlocked with the chloramine level (thanks to information from an analysis chamber located upstream of the installation)*



INSTALLATION

The dechloramination unit must be installed horizontally: water flow can be in either direction, but we recommend that the water flows in from the top and out from the top of the unit to avoid any accumulation of air in the treatment chamber and to ensure that it always remains full of water. Sufficient space must be left at the side of the dechloramination unit (1.30 m) to enable maintenance and UV lamp replacement.

Filtration is required to remove suspended solids. The dechloramination unit is therefore installed after the pool filters, but before chlorine injection as the chlorine molecules can be degraded by UV radiation.

MAINTENANCE

Efficiency is reduced when the UV lamps reach the end of their service life (after 2 years' operation) or if one of them becomes defective. They must be replaced. The quartz sleeves make lamp replacement much easier: the unit does not have to be drained or dismantled. The dechloramination unit is equipped with several lamps, which must all be replaced at the same time. The quartz sleeves may become clogged and should be cleaned once a year with a mild acid.