



UVGERMI®

ULTRAVIOLETS DE HAUTE TECHNOLOGIE

*Specialist in
microbiological treatment of surfaces
using ultraviolet reactors.*

● ○ ● MADE IN FRANCE

20000321_A_FT10

UV GERMI BAL 2Z60 PORTABLE LAMP

UV GERMI BAL 2Z60 is a portable lamp used to decontaminate dry, inert surfaces



Full warranty: 2 years (excluding lamp)
After-sales in France

TECHNICAL SPECIFICATIONS

Equipment to destroy microorganisms, bacteria and viruses on surfaces, with exposure times of between 3 and 450 seconds depending on the removal rate required (see table overleaf).

UV LAMP

Total electrical power: 60 Watts (1 lamp)
Germicidal power: 19 Watts UVc
Lamp service life: 1 year

DIMENSIONS AND WEIGHT

Length: 705 mm
Width: 72 mm
Height: 48 mm
Weight: 1.70 kg

POWER

Power supply: 230 V
Max power: 70 W

CONTROL BOX

ON/OFF switch
2.90 m cable

UV 60 W LQ:P

Ref. 14000134

20000321_A_FT10

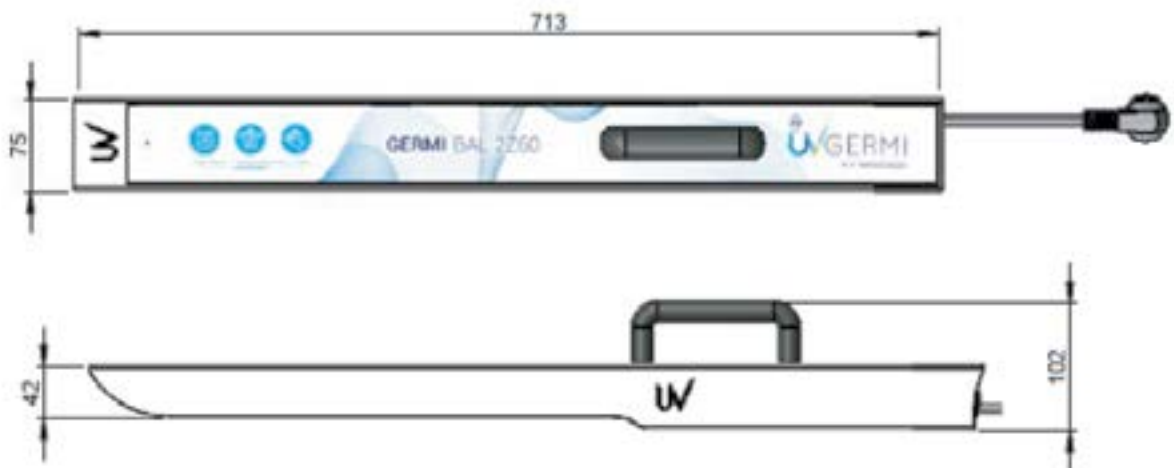
PORTABLE LAMP

UV GERMI BAL 2Z60

		DURÉES D'EXPOSITION (S)							
		Distance lampe- surface (cm)							
Abattement*		0	5 cm	10 cm	20 cm	40 cm ¹	50 cm ¹	75 cm ²	100 cm ²
90 %	Dose UVC (mJ/cm ²) 24	2	4	7	12	30	40	100	150
99 %	48	3	8	14	24	60	80	200	300
99.90 %	72	5	12	21	36	90	120	300	450

1 : avec une largeur du faisceau maximum de 30 cm / 2 : avec une largeur du faisceau maximum de 40 cm * :

*** : sur SRAS - COVID 1 (sur surfaces exposées)**



USE - WARNING - MAINTENANCE

The **UV GERMI 2Z60 PORTABLE LAMP** can be plugged into a standard 230 V socket.

Before use, put on all the personal protective equipment required when using partly open UVC light sources.

Maintenance is limited to the replacement of the UV lamp. The UV lamp has a maximal service life of 9,000 hours, after which disinfection is no longer guaranteed.

Radiation can be lost if deposits form on the UV lamp. These deposits can be created by the presence of dust or if the lamp is handled without protective gloves.

To keep the lamp clean, we recommend cleaning it regularly with a soft cloth dampened with alcohol.

UVGERMI®

ULTRAVIOLETS DE HAUTE TECHNOLOGIE

*Specialist in
microbiological treatment of surfaces
using ultraviolet reactors.*

● ○ ● MADE IN FRANCE

20000301_A_FT10

GERMI DP75

The **GERMI DP75** is a mobile unit designed to destroy pathogenic microorganisms found on surfaces, such as viruses, bacteria and mould, using direct radiation.



Full warranty: 2 years (excluding lamp)

After-sales in France



TECHNICAL SPECIFICATIONS

Equipment to destroy bacteria, viruses and mould (see diagram overleaf).

UV LAMP

Total electrical power: 300 Watts (4 lamps)
Germicidal power: 100 Watts UVc
Lamp service life: 1 year

DIMENSIONS

Height: 1,280 mm
Width: 380 mm
Depth: 445 mm
Weight: 20 kg

POWER

Power supply: 230 V
Max power: 320 W

CONTROL BOX

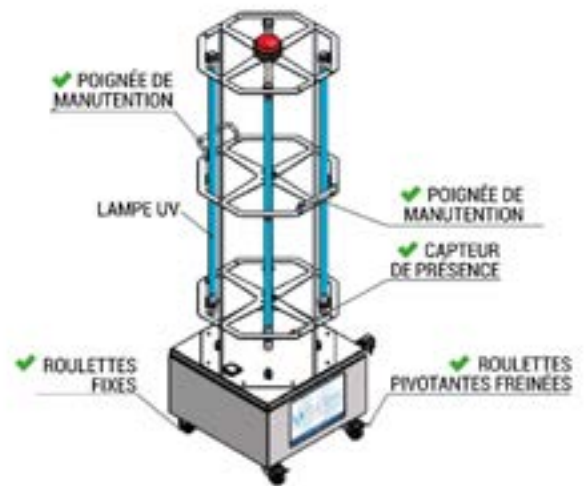
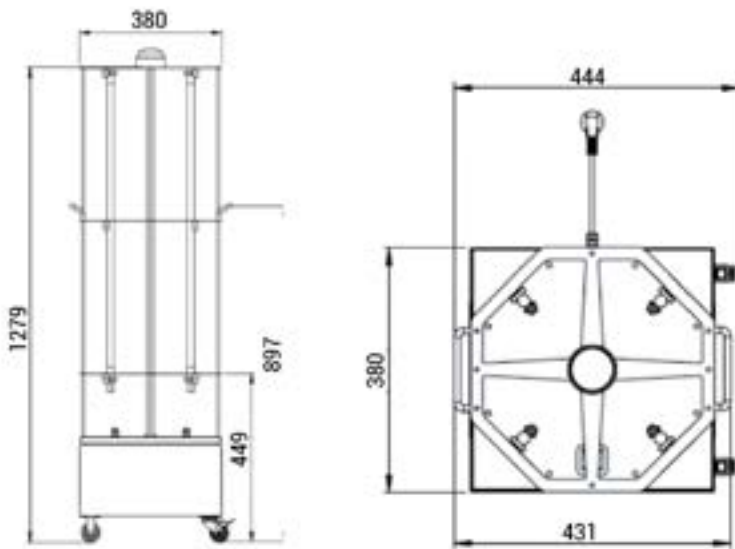
On/Off switch / Power indicator light / Time display
/ Motion sensor / Flashing beacon / Remove control

UV 75 W LAMP

Ref. 14000101

20000301_A_FT10

GERMI DP75



USE - WARNING - MAINTENANCE

The **UV GERMi DP75** can be plugged into a standard 230 V socket.

Before use, put on all the personal protective equipment required when using partly open UVc light sources.

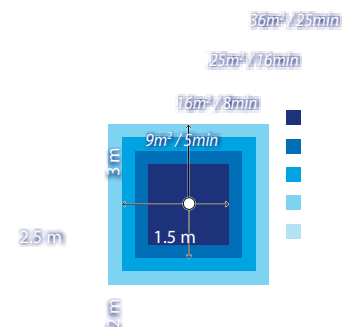
Maintenance is limited to the replacement of the UV lamps. The UV lamps have a maximal service life of 9,000 hours, after which disinfection is no longer guaranteed.

Radiation can be lost if deposits form on the UV lamps. These deposits can be created by the presence of dust or if lamps are handled without protective gloves.

To keep the lamps clean, we recommend cleaning them regularly with a soft cloth dampened with alcohol.

REQUIRED EXPOSURE TIME FOR DIFFERENT DISTANCES:

○ = GERMi DP75



*For a target UV dose of 6 mJ/cm² and removal of 90% SRAS-Covid19 on exposed surfaces
(W.J.KOWALSKI -2020 Covid19-Coronavirus Ultraviolet Susceptibility, March 2020).*