

UVGERMI

ULTRAVIOLETS DE HAUTE TECHNOLOGIE

The microbiological water treatment specialist using ultraviolet reactors.



MADE IN FRANCE

16000056B_A_FT10

GERMI DD 300 ECI*

> **Flow:** from 135 to 220 m³/h

The GERMI DD300 ECI is specially designed for securing water resources for use in industrial processes, for producing rinse or wash water, for protecting equipment (reverse osmosis, filtration), or for producing ultra-pure water.



Full warranty: 2 years
After-sales in France



TECHNICAL SPECIFICATIONS

Equipment for treating an average water flow between 135 m³/h (T₁₀ = 90% at 254 nm) and 220 m³/h (T₁₀ = 98% at 254 nm) for a minimum UV dose of 40 mJ/cm² at the end of lamp service life.

UV LAMP

Total electrical power:	1200 Watts (4 lamps)
Germicidal power:	460 Watts UVc
Lamp service life:	16,000 hours or 2 years (limited to a maximum of 5 starts per 24 hours)

UV REACTOR

Treatment chamber:	Stainless steel 316L
Input/Output:	DN 150
Operating pressure:	8 bar

Drain valve and sampling valves UV sensor (permanent display of the intensity emitted) Temperature probe Adjustable legs (height)
*ECI: Eau Claire Industrielle (Industrial Clear Water)

ELECTRICAL BOX

Dimensions (mm):	600 x 600 x 210
Power:	240 V / 50-60 Hz
ON-OFF switch / Lights on indicator / Lamps / UV sensor display / Fault indicator / Lamp hour counter / Painted steel cabinet	

ASSOCIATED PRODUCTS

300 W UV lamp:	14000127
Quartz sleeve:	14000052
O-ring:	14000113

OPTIONS

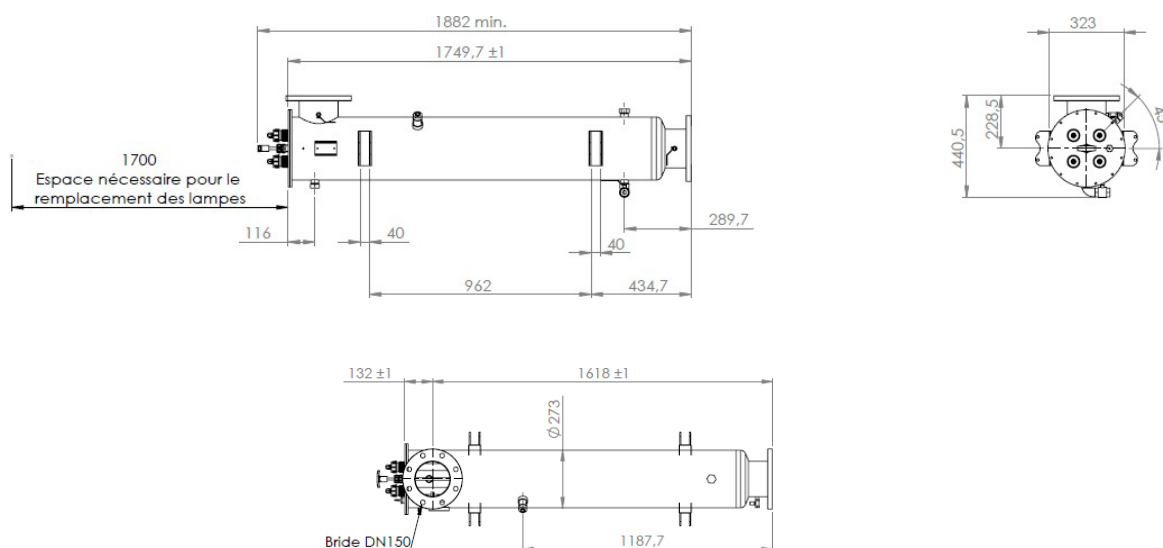
Automatic or manual cleaning using a pull tab / Vertical installation



16000056B_A_FT10

GERMI DD 300 ECI*

> **Flow:** from 135 to 220 m³/h



INSTALLATION

The GERMi DD300 ECI is installed on the main water supply pipe, the water inlet and outlet sides being identical. If the reactor needs to be installed vertically, an automatic air bleed must be included in the upper section of the reactor.

A gap must be left on the lamp removal side (1 m minimum) or the unit (bypass) must be easy to dismantle for maintenance operations.

MAINTENANCE

The reactor requires little maintenance and monitoring: only the lamp service life and quartz sleeve fouling need to be monitored. When the UV lamps reach the end of their service life, efficiency losses will become noticeable. The lamps must be replaced after 16,000 hours or 2 years in operation.

The quartz sleeves considerably simplify the replacement of the lamps, without having to drain or dismantle the entire unit. Fouling in the sleeve may occur, in which case it must be cleaned 1 to 3 times a year with a mild acid depending on the nature of the water. The quartz sleeves must be replaced every 4 to 5 years.