

# UVGERMI®

ULTRAVIOLETS DE HAUTE TECHNOLOGIE

*Specialist in  
microbiological water treatment  
using ultraviolet reactors.*

● ○ ● MADE IN FRANCE

16000056\_A\_FT10

## GERMI DD 300 ACS

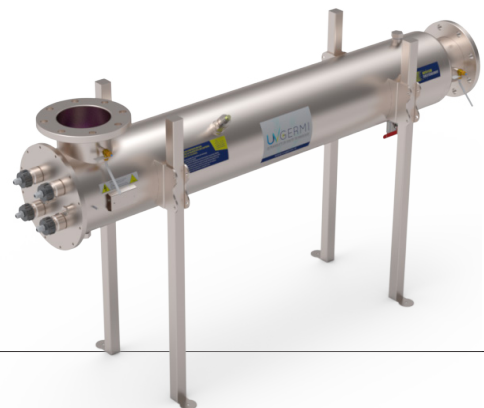
> **Flow rate:** from 47.7 to 187.6 m<sup>3</sup>/h

**Full warranty:** 2 years

**After-sales in France**



The treatment of water for human consumption in communal facilities requires equipment that has been ACS-UV accredited in compliance with the decree of 9 October 2012 on the conditions of selling and using reactors with UV radiation lamps for the treatment of water for human consumption.



### TECHNICAL SPECIFICATIONS

 **ACS UV no.: 13 UV LY 002**, Certificate provided on request.

#### UV LAMP

<b>Total electrical power:</b>	1200 Watts (4 lamps)
<b>Germicidal power:</b>	460 Watts UVC
<b>Lamp service life:</b>	16,000 hours or 2 years (maximum limit of 5 starts per 24-hour period)

#### UV REACTOR

<b>Treatment chamber:</b>	Stainless steel 316L
<b>Input/Output:</b>	DN 150
<b>Operating pressure:</b>	8 bars
<b>Drainage valve and sampling valves</b>	
<b>UV sensor (permanent display of the intensity emitted)</b>	
<b>Temperature probe</b>	
<b>Adjustable foot height</b>	

#### ELECTRICAL CABINET

<b>Dimensions (mm):</b>	600 x 600 x 210
<b>Power supply:</b>	240 V / 50-60 Hz
<b>On/off switch with key / Lamp operation indicator / UV sensor display / Fault light indicator / Lamp hour counter / Painted steel cabinet</b>	

#### ASSOCIATED PRODUCTS

<b>300 W UV lamp:</b>	14000127
<b>Quartz sleeve:</b>	14000052
<b>O-rings:</b>	14000113

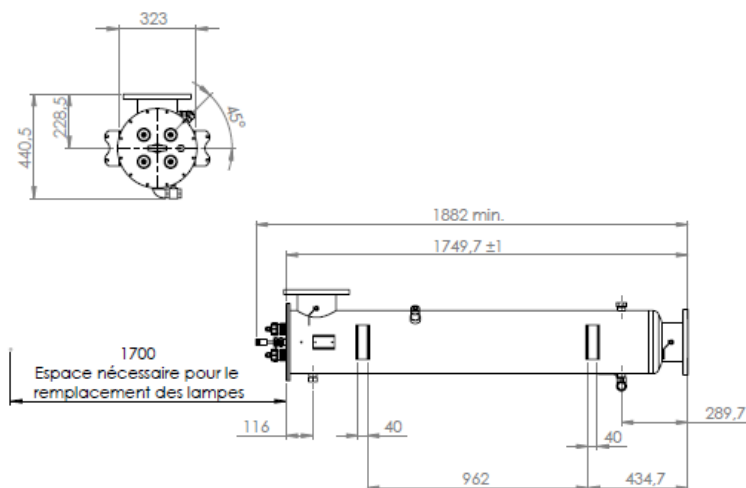
#### OPTIONS

<b>Manual cleaning by pull tab or automatic cleaning</b>	
<b>Vertical installation</b>	

16000056\_A\_FT10

## GERMI DD 300 ACS

> **Flow rate:** from 47.7 to 187.6 m<sup>3</sup>/h



### ACCREDITED FLOW RATES

TYPICAL VALUES FOR 400 J/m <sup>2</sup>	
Maximal flow (m <sup>3</sup> /h)	Transmittance at 254 nm over 10 nm (%)
47.7	85
81.1	90
137.9	95
187.6	98

### INSTALLATION

The **GERMI DD 300 ACS** is installed horizontally on the main water supply pipe. The water must flow in the direction indicated by the arrows on the UV chamber. Shut-off valves must be installed upstream and downstream of the unit.

Sufficient space must be left beside lamp exit (at least 1.70 m) or allow for easy dismantling of the unit (bypass) for maintenance operations. Pay attention to the accumulation of air in the upper part and install an air bleed if necessary.

### MAINTENANCE

The reactor requires little maintenance or monitoring: check lamp service life and clogging of the quartz sleeve. Effectiveness will be reduced when the lamps approach the end of their service life. They must be replaced every 16,000 hours or every 2 years.

The quartz sleeves make lamp replacement much easier: the unit does not have to be drained or dismantled. The sleeves may become clogged and should be cleaned 1-3 times per year with a mild acid, depending on the nature of the water. The quartz sleeves must be replaced every 4 to 5 years.