

# UVGERMI®

ULTRAVIOLETS DE HAUTE TECHNOLOGIE

*Specialist in  
microbiological water treatment  
using ultraviolet reactors.*

● ○ ● MADE IN FRANCE

14000274\_A\_FT10

## GERMI AD 200 ACS

> **Flow rate:** from 5.1 to 20.4 m<sup>3</sup>/h

The treatment of water for human consumption in communal facilities requires equipment that has been ACS-UV accredited in compliance with the decree of 9 October 2012 on the conditions of selling and using reactors with UV radiation lamps for the treatment of water for human consumption.

**CE** Full warranty: 2 years  
After-sales in France



### TECHNICAL SPECIFICATIONS

**ACS UV no.: 18 UV LY 015**, Certificate provided on request.

#### UV LAMP

Total electrical power:	200 Watts (1 lamp)
Germicidal power:	58 Watts UVC
Lamp service life:	16,000 hours or 2 years (maximum limit of 5 starts per 24-hour period)

#### UV REACTOR

Treatment chamber:	Stainless steel 316L
Input/Output:	DN 100
Operating pressure:	8 bars
Drainage valve and sampling valves	
UV sensor (permanent display of the intensity emitted)	
Fixing lugs	

#### ELECTRICAL CABINET

Dimensions (mm):	400 x 400 x 210
Power supply:	240 V / 50-60 Hz
On/off switch with key / Lamp operation indicator / UV sensor display / Fault light indicator / Lamp hour counter / Painted steel cabinet	

#### ASSOCIATED PRODUCTS

200 W UV lamp:	14000129
Quartz sleeve:	15000753
O-ring:	14000113

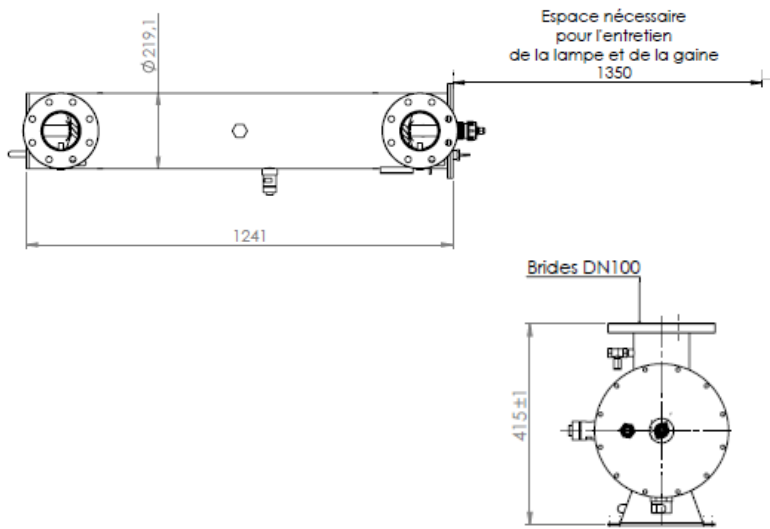
#### OPTIONS

Temperature probe / Vertical installation

14000274\_A\_FT10

## GERMI AD 200 ACS

> **Flow rate:** from 5.1 to 20.4 m<sup>3</sup>/h



### ACCREDITED FLOW RATES

TYPICAL VALUES FOR 400 J/m <sup>2</sup>	
Maximal flow (m <sup>3</sup> /h)	Transmittance at 254 nm over 10 nm (%)
5.09	85
8.01	90
14.78	95
20.37	98

### INSTALLATION

The **GERMI AD 200 ACS** is installed horizontally on the main water supply pipe. The water must flow in the direction indicated by the arrows on the UV chamber. Shut-off valves must be installed upstream and downstream of the unit.

Sufficient space must be left beside the lamp exit (at least 1.35 m) or allow for easy dismantling of the unit (bypass) for maintenance operations. Pay attention to the accumulation of air in the upper part and install an air bleed if necessary.

### MAINTENANCE

The reactor requires little maintenance or monitoring: check lamp service life and clogging of the quartz sleeve. Effectiveness will be reduced when the lamp approaches the end of its service life. It must be replaced every 16,000 hours or every 2 years.

The quartz sleeve makes lamp replacement much easier: the unit does not have to be drained or dismantled. The sleeve may become clogged and should be cleaned 1-3 times per year with a mild acid, depending on the nature of the water. The quartz sleeve must be replaced every 4 to 5 years.