

# UVGERMI®

ULTRAVIOLETS DE HAUTE TECHNOLOGIE

*Specialist in  
microbiological water treatment  
using ultraviolet reactors.*

● ○ ● MADE IN FRANCE

15000014\_A\_FT10

## GERMI DP 300 ACS

> **Flow rate:** from 168.5 to 703 m<sup>3</sup>/h

**Full warranty:** 2 years

**After-sales in France**



The treatment of water for human consumption in communal facilities requires equipment that has been ACS-UV accredited in compliance with the decree of 9 October 2012 on the conditions of selling and using reactors with UV radiation lamps for the treatment of water for human consumption.



### TECHNICAL SPECIFICATIONS

 **ACS UV no.: 18 UV LY 016**, Certificate provided on request.

#### UV LAMP

<b>Total electrical power:</b>	4,800 Watts (16 lamps)
<b>Germicidal power:</b>	1,840 Watts UVc
<b>Lamp service life:</b>	16,000 hours or 2 years (maximum limit of 5 starts per 24-hour period)

#### UV REACTOR

<b>Treatment chamber:</b>	Stainless steel 316L
<b>Input/Output:</b>	DN 300
<b>Operating pressure:</b>	8 bars
<b>Drainage valve and sampling valves</b>	
<b>UV sensor (permanent display of the intensity emitted)</b>	
<b>Temperature probe</b>	
<b>Automatic cleaning of the sleeves</b>	
<b>Adjustable foot height</b>	

#### ELECTRICAL CABINET

<b>Dimensions (mm):</b>	800 x 1200 x 400
<b>Power supply:</b>	400 V Tri+N+E / 50-60 Hz
<b>On/off switch / LCD display of lamp status / Fault display / Lamp hour counter / Painted steel cabinet</b>	

#### ASSOCIATED PRODUCTS

<b>300 W UV lamp:</b>	14000127
<b>Quartz sleeve:</b>	14000052
<b>O-rings:</b>	14000113

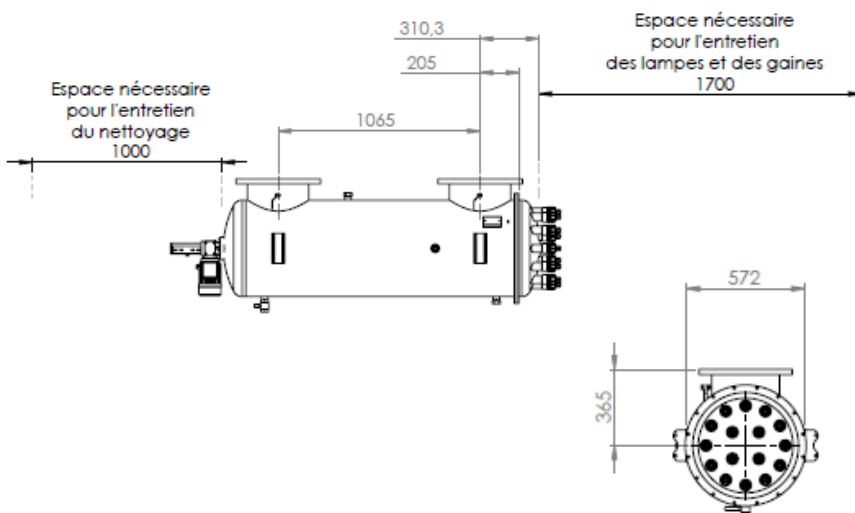
#### OPTIONS

Vertical installation with customised feet

15000014\_A\_FT10

## GERMI DP 300 ACS

> **Flow rate:** from 168.5 to 703 m<sup>3</sup>/h



### ACCREDITED FLOW RATES

TYPICAL VALUES FOR 400 J/m <sup>2</sup>	
Maximal flow (m <sup>3</sup> /h)	Transmittance at 254 nm over 10 nm (%)
168.5	85
269.4	90
437.8	95
703	98

### INSTALLATION

The **GERMI DP 300 ACS** is installed horizontally on the main water supply pipe. The water must flow in the direction indicated by the arrows on the UV chamber. Shut-off valves must be installed upstream and downstream of the unit.

Sufficient space must be left on the exit side of the **GERMI DP 300 ACS** (at least 1.70 m) or allow for easy dismantling of the unit (bypass) to replace the UV lamps. Pay attention to the accumulation of air in the upper part and install an air bleed if necessary.

### MAINTENANCE

The reactor requires little maintenance or monitoring: check lamp service life and clogging of the quartz sleeve. Effectiveness will be reduced when the lamps approach the end of their service life. They must be replaced every 16,000 hours or every 2 years.

The quartz sleeves make lamp replacement much easier: the unit does not have to be drained or dismantled. The sleeves may become clogged and should be cleaned 1-3 times per year with a mild acid, depending on the nature of the water. The quartz sleeves must be replaced every 4 to 5 years.